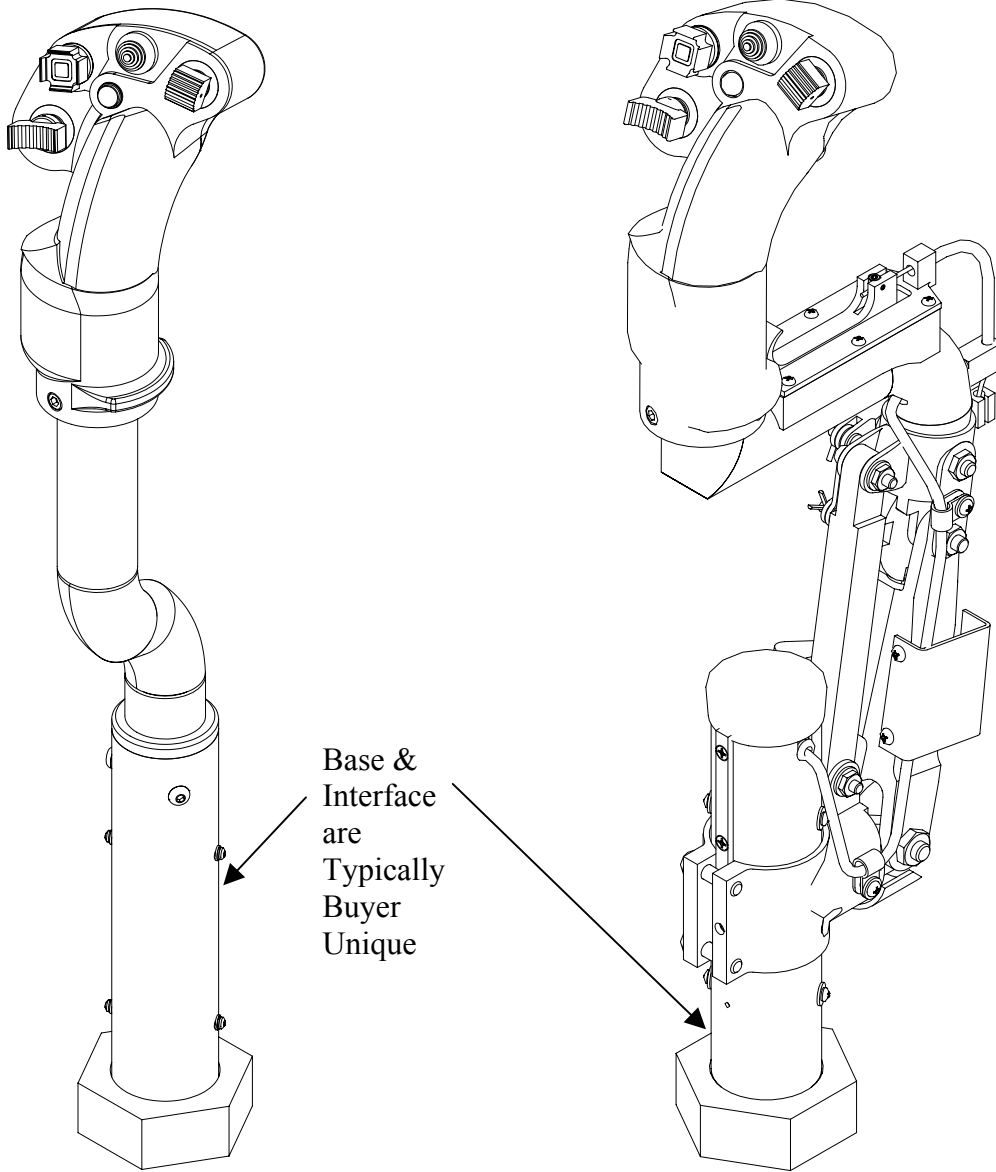


AH-64D Cyclic Sticks



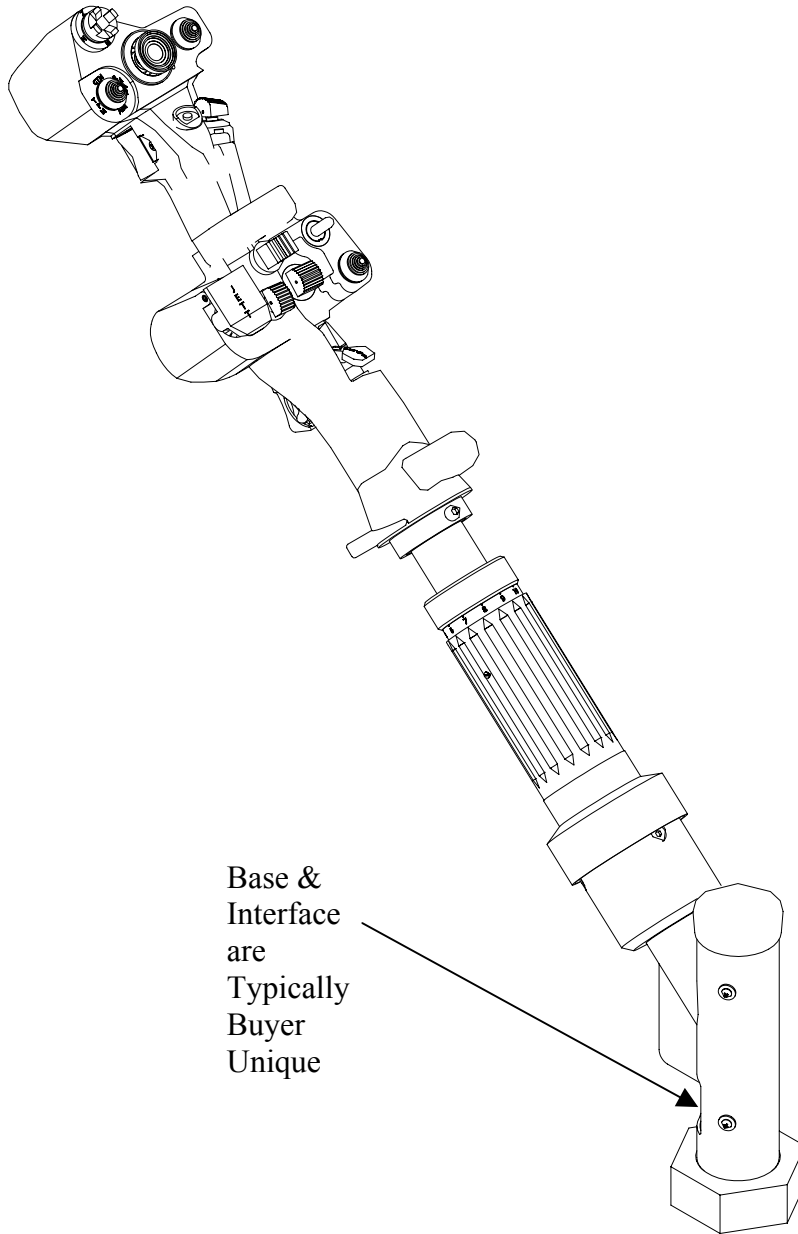
Pilot Cyclic

Co-Pilot Folding Cyclic

Base &
Interface
are
Typically
Buyer
Unique

RealSims,LLC
3251 Progress Drive – Suite A
Orlando, FL 32826
407 207-7437

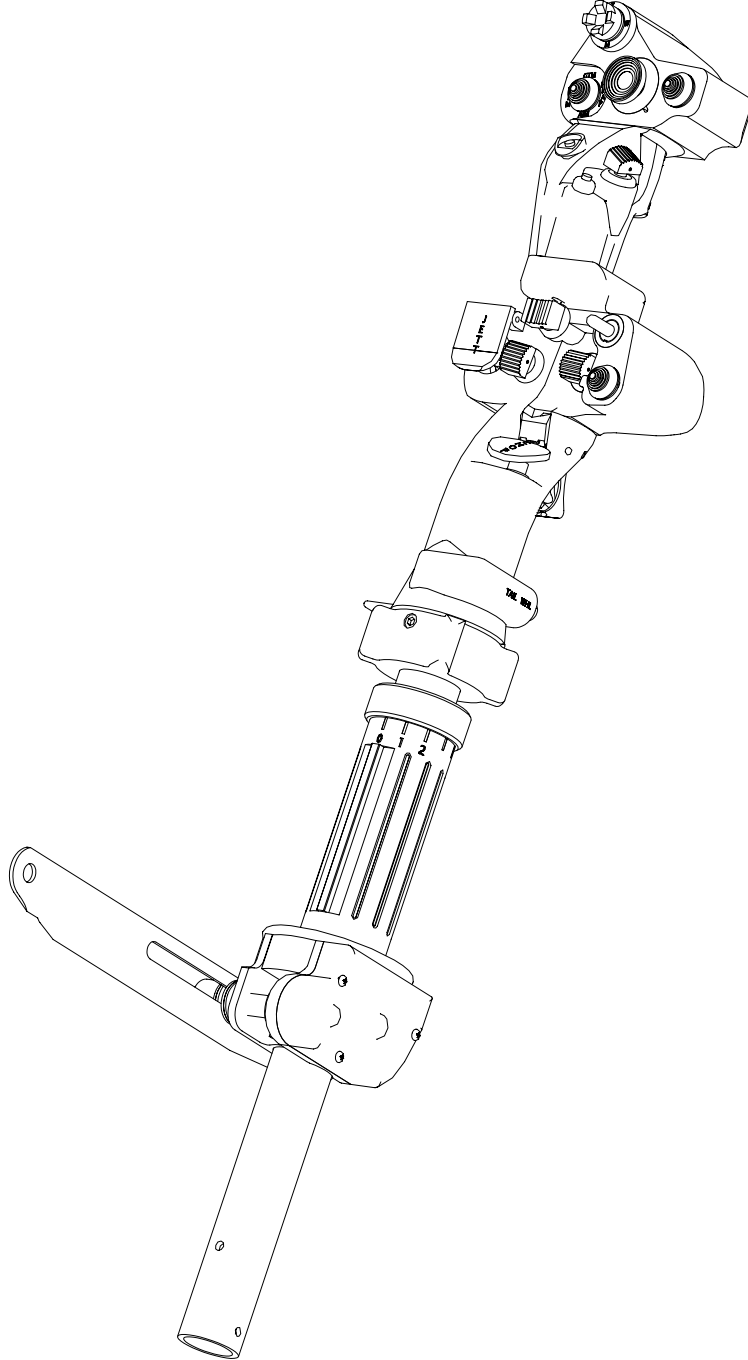
AH-64D Collectives



Pilot/Co-Pilot Collective w/Analog Friction Assy.

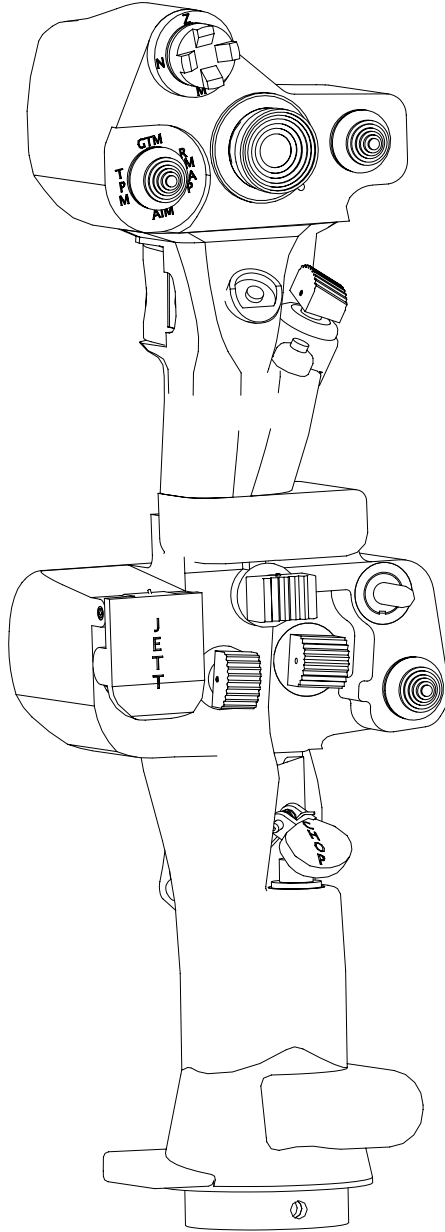
RealSims,LLC
3251 Progress Drive – Suite A
Orlando, FL 32826
407 207-7437

AH-64D Collectives (Cont'd)



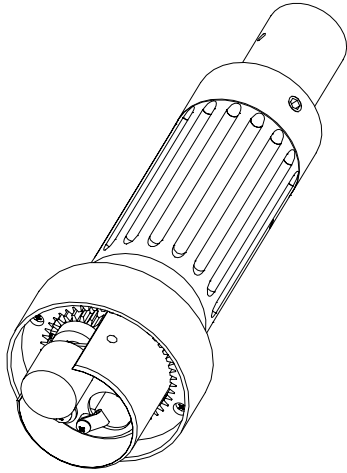
Pilot/Co-Pilot Collective w/Mechanical Friction Assy.

RealSims,LLC
3251 Progress Drive – Suite A
Orlando, FL 32826
407 207-7437
AH-64D Collectives (Cont'd)

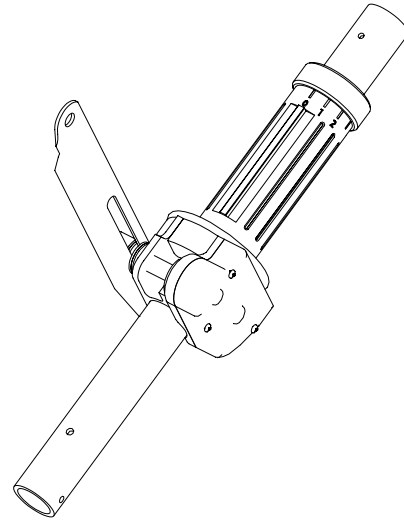


RealSims,LLC
3251 Progress Drive – Suite A
Orlando, FL 32826
407 207-7437

AH-64D Friction Assemblies

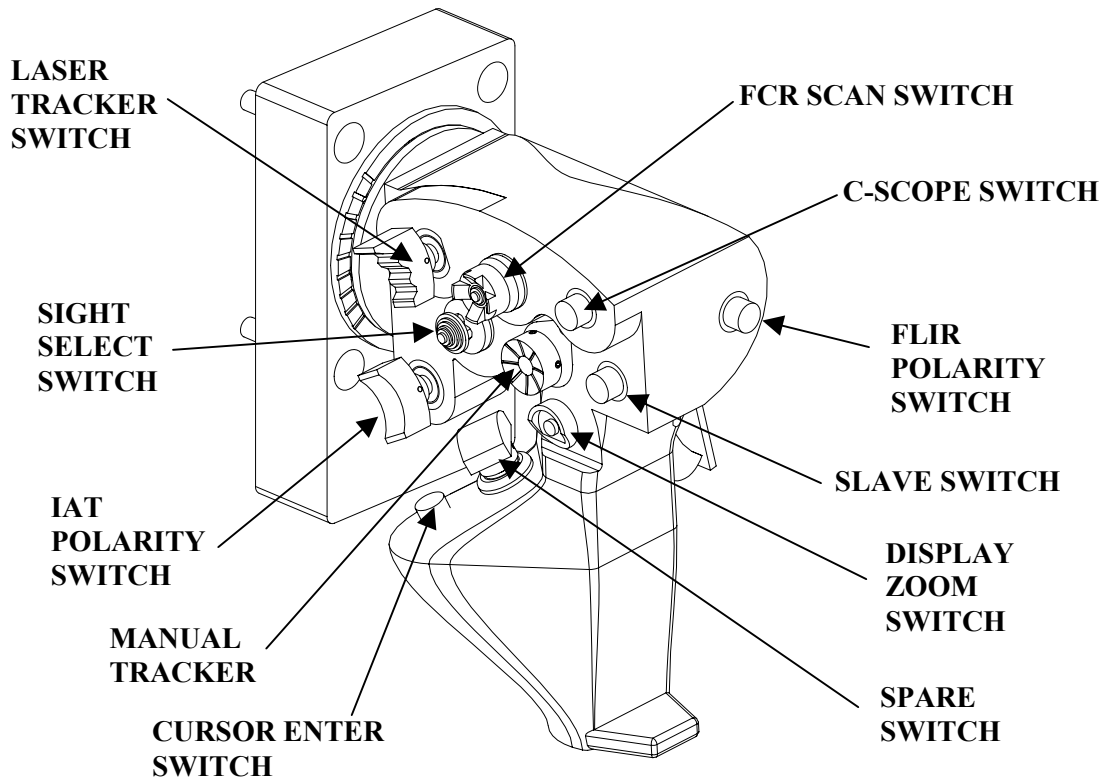


Analog Interface



Mechanical Interface

RealSims,LLC
3251 Progress Drive – Suite A
Orlando, FL 32826
407 207-7437
AH-64D ORT Grips



RealSims,LLC
3251 Progress Drive – Suite A
Orlando, FL 32826
407 207-7437

